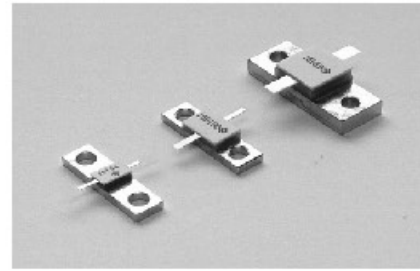


RF Flanged Power Resistors

Features and Applications

These components are designed for microwave applications and are available in wattages from 10W to 250W and ohmic values of 50-800ohms. Heat from the resistors can be extracted through back metal or flange to PCB or heat sink. The compact size and large power handling capability also have excellent RF characteristics. These units are RoHS compliant and are beryllium free. A 1% tolerance and 50ppm/C TCR ensure stable circuits. Applications include: RF power amplifiers, LNA RF power sources, fixed station for cell phones, RF measurement and terminations of circulators/isolators.



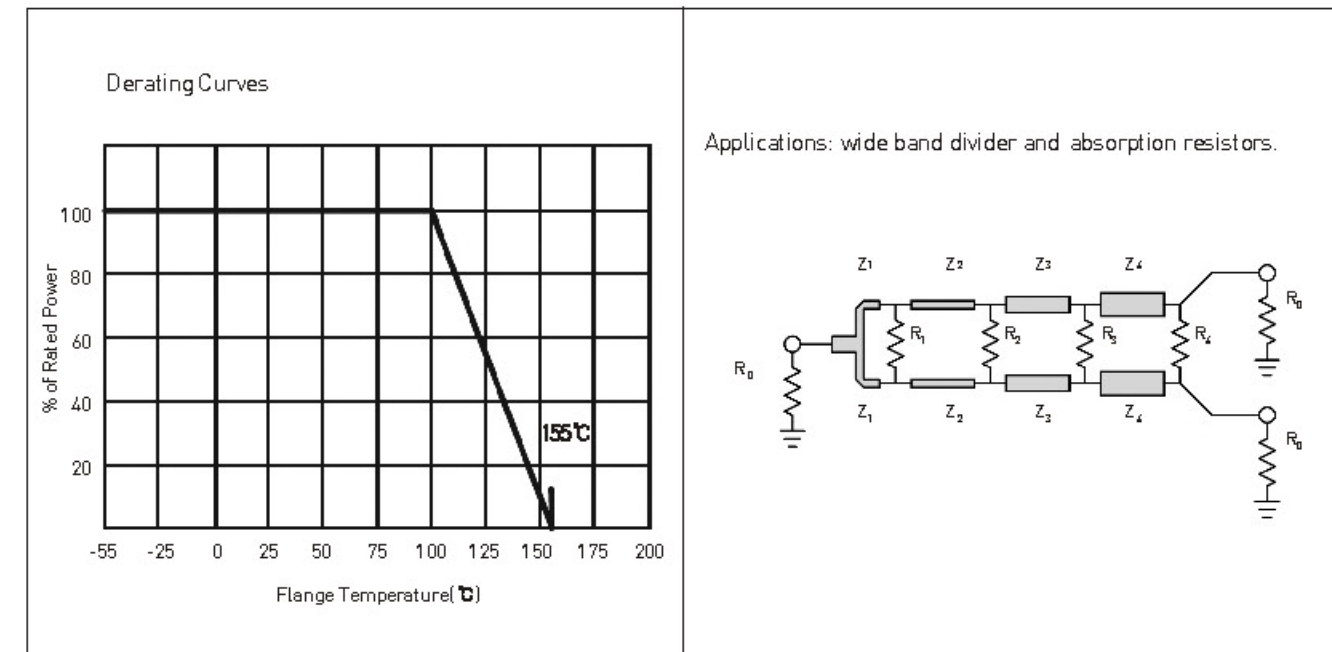
GENERAL SPECIFICATIONS

Model	Power Rating [W]	Resistance[Ω]	Tolerance(%)
TFR010	10	50, 100, 150, 200, 250, 300 400, 600, 800	F (1.0)
TFR050	50		
TFR100	100		
TFR250	250		

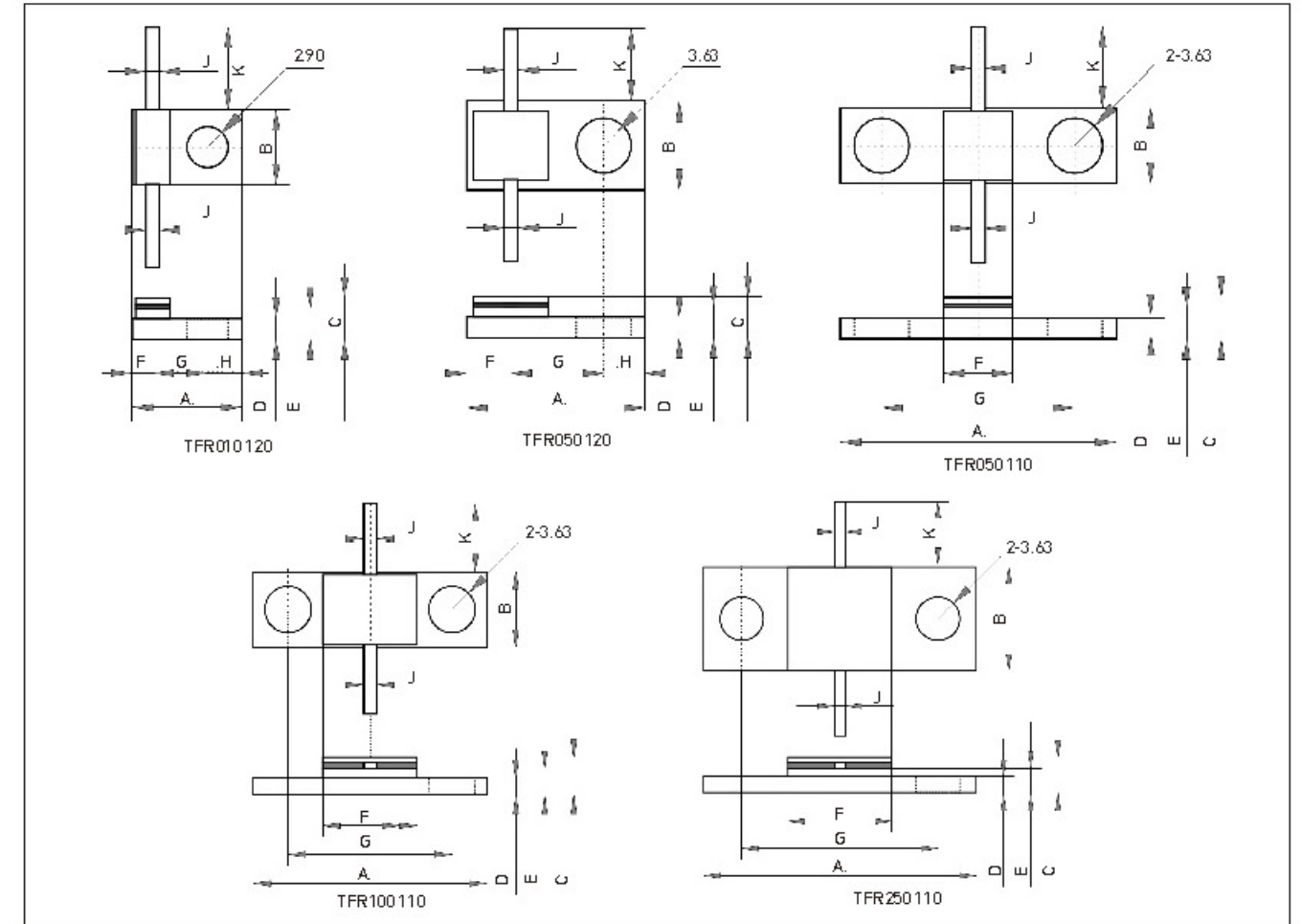
CHARACTERISTICS

Model	TFR010	TFR050	TFR100	TFR250
Operating Temperature Range				-55°C to +155°C
Temp. Coefficient				±50ppm/°C
Storage Temperature Range				-55°C to +155°C
Load Life				±0.5
Humidity				±0.5
Series Inductance				-
Parallel Capacitance				-

DERATING CURVE & APPLICATIONS

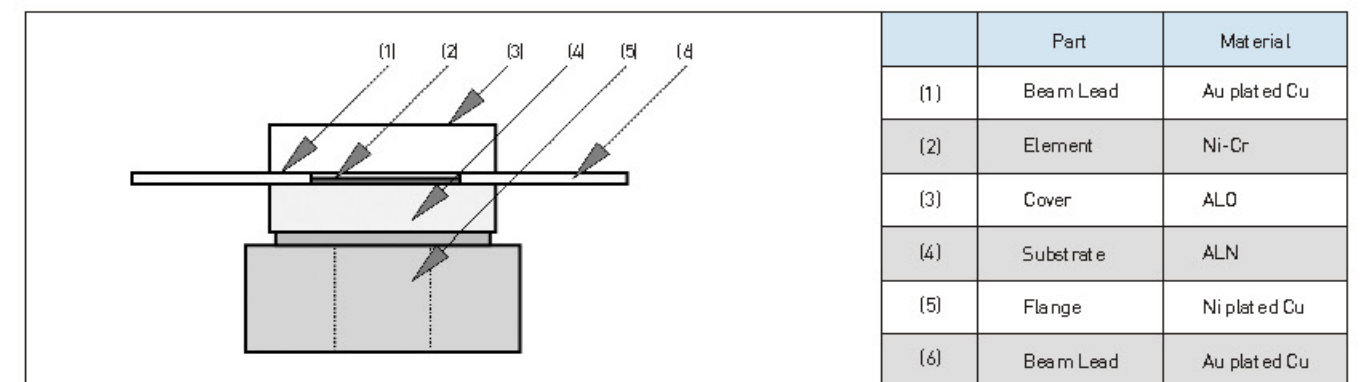


DIMENSIONS [mm]



	A	B	C	D	E	F	G	H	J	K
TFR010	7.10	5.10	3.10	1.50	2.20	1.50	3.50	2.10	0.80	5.08
TFR050	13.08	6.35	3.10	1.50	2.20	(2.54)	7.49	3.05	0.80	5.08
TFR050	20.30	5.70	3.10	1.50	2.60	5.08	14.20	-	1.50	5.08
TFR100	20.30	6.35	3.10	1.50	2.60	8.89	14.20	-	1.50	5.08
TFR250	25.00	9.53	4.50	3.00	4.10	9.52	18.42	-	3.00	5.08

MATERIALS



ORDERING PROCEDURE EXAMPLE

Ordering Example	Model	Outlook	TCR	Resistance	Tolerance	Bulk/Tape	Package
TFR010120C100ohmFZ00	TFR010	120	C	100Ω	F	Z00	Tray
TFR050120C150ohmFZ00	TFR050	120	C	150Ω	F	Z00	Tray
TFR050110C200ohmFZ00	TFR050	110	C	200Ω	F	Z00	Tray
TFR100110C300ohmFZ00	TFR100	110	C	400Ω	F	Z00	Tray
TFR250110C800ohmFZ00	TFR250	110	C	800Ω	F	Z00	Tray